


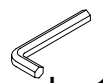

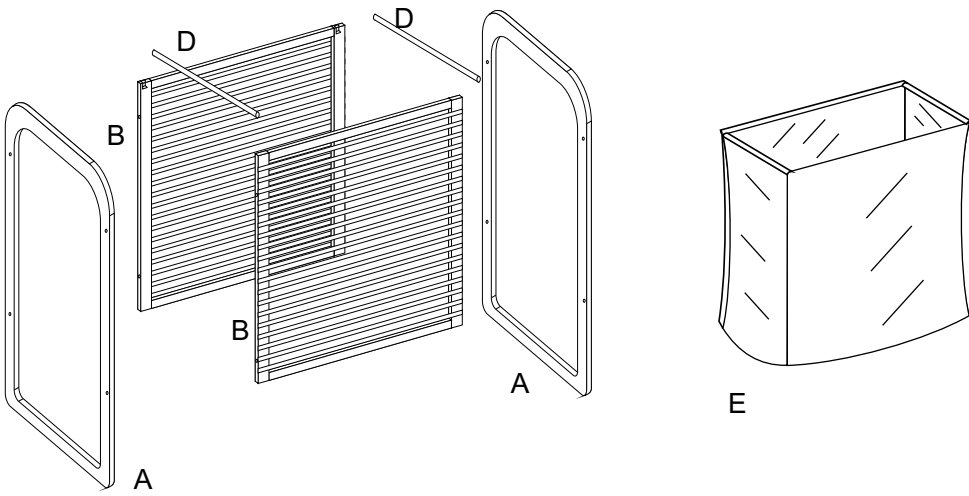
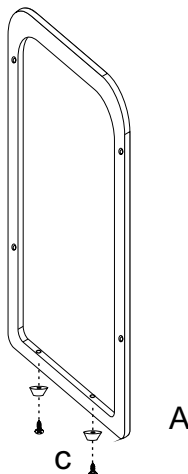
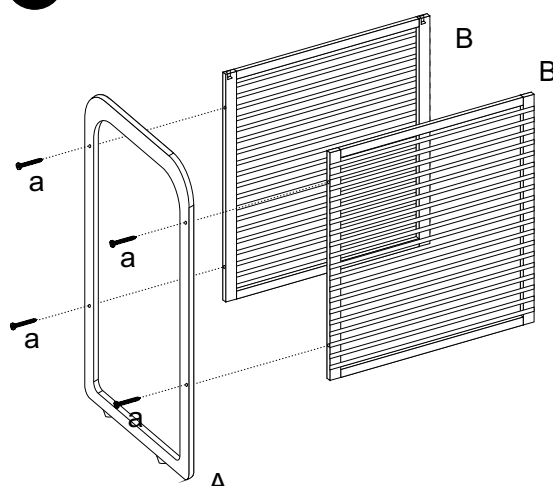
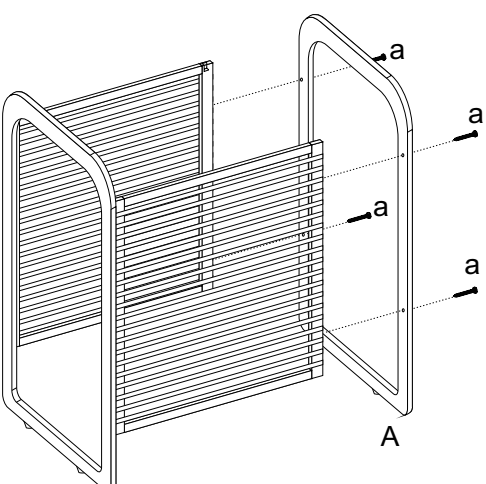
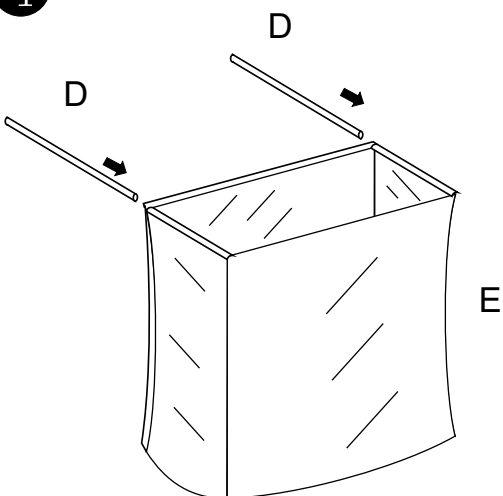


- Ⓞ Montageanleitung
- Ⓢ Assembly Instructions
- ⓕ Instructions de montage
- ⓔ Instrucciones de montaje
- Ⓛ Istruzioni per il montaggio
- Ⓝ Montage-instructie

- Ⓟ Instruções de montagem
- Ⓝ Montagevejledning
- Ⓢ Monteringsanvisning
- Ⓟ Instrukcja montażu
- Ⓜ Οδηγία μοντάζ
- Ⓝ Návod k montáži

- Ⓜ Navodilo za montažo
- Ⓢ Návod na montáž
- Ⓜ Szerelési útmutató
- Ⓜ Инструкция по монтажу
- Ⓜ Montaj kılavuzu

Maximex

<div style="margin-bottom: 10px;">  <p>ax8</p> </div> <div style="margin-bottom: 10px;">  <p>bx1</p> </div> <div>  <p>cx4</p> </div>	
<div style="display: flex; justify-content: space-between; align-items: center;"> <div style="font-size: 2em; font-weight: bold; border: 1px solid black; border-radius: 50%; width: 30px; height: 30px; display: flex; align-items: center; justify-content: center;">1</div> <div style="margin-left: 20px;">  <p style="font-size: 1.5em; margin-left: 10px;">x2</p> </div> </div>	<div style="display: flex; justify-content: space-between; align-items: center;"> <div style="font-size: 2em; font-weight: bold; border: 1px solid black; border-radius: 50%; width: 30px; height: 30px; display: flex; align-items: center; justify-content: center;">2</div> <div style="margin-left: 20px;">  </div> </div>
<div style="display: flex; justify-content: space-between; align-items: center;"> <div style="font-size: 2em; font-weight: bold; border: 1px solid black; border-radius: 50%; width: 30px; height: 30px; display: flex; align-items: center; justify-content: center;">3</div> <div style="margin-left: 20px;">  </div> </div>	<div style="display: flex; justify-content: space-between; align-items: center;"> <div style="font-size: 2em; font-weight: bold; border: 1px solid black; border-radius: 50%; width: 30px; height: 30px; display: flex; align-items: center; justify-content: center;">4</div> <div style="margin-left: 20px;">  </div> </div>

© MAXIMEX® 10.11.2017 62210100





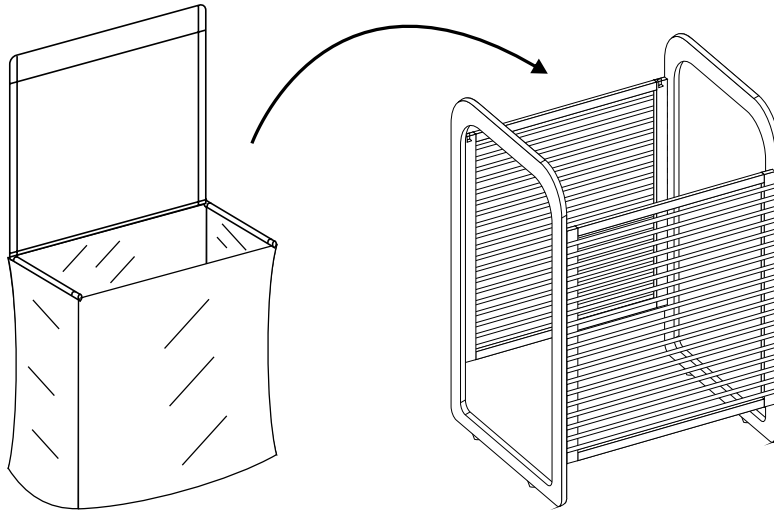
- Ⓞ Montageanleitung
- Ⓢ Assembly Instructions
- ⓕ Instructions de montage
- ⓔ Instrucciones de montaje
- Ⓛ Istruzioni per il montaggio
- Ⓝ Montage-instructie

- Ⓟ Instruções de montagem
- ⓃⓀ Montagevejledning
- Ⓢ Monteringsanvisning
- Ⓟ Instrukcja montażu
- ⓂⓇ Οδηγία μοντάζ
- ⓃⓅ Návod k montáži

- ⓈⓁ Navodilo za montažo
- ⓈⓀ Návod na montáž
- Ⓜ Szerelési útmutató
- ⓂⓈ Инструкция по монтажу
- ⓂⓇ Montaj kılavuzu

Maximex

5



6

